



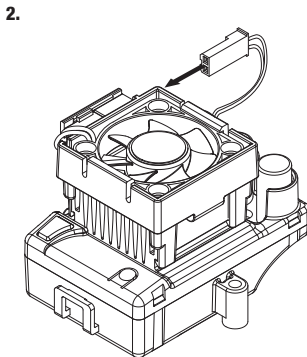
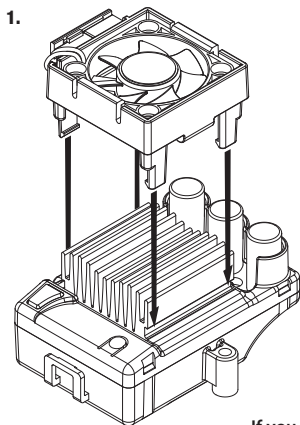
Auf TRAXXAS.com/manuals können Sie anleitung in Ihrer Sprache downloaden.

Visite la página TRAXXAS.com/manuals para descargar el instrucciones en su idioma.

Speed Control Cooling Fan Installation

Covers Parts #3340

1. To install the cooling fan, press the fan tabs over the heat sink until they snap on.
2. Plug the cooling fan connector into the plug on the front of the cooling fan.



Installation notes:

- The fan must blow air down across the fins. Be sure the “V” decal faces up.
- The fan is not water resistant.
- Always turn off the speed control and unplug the model battery when not in use.
- Periodically remove the fan and clean any debris from the fan and the heat sink.

If you have questions or need technical assistance, call Traxxas at

1-888-TRAXXAS

(1-888-872-9927) (U.S. residents only)

TRAXXAS.COM

KC1832-R02 Rev 250725